

# Assembly Instructions

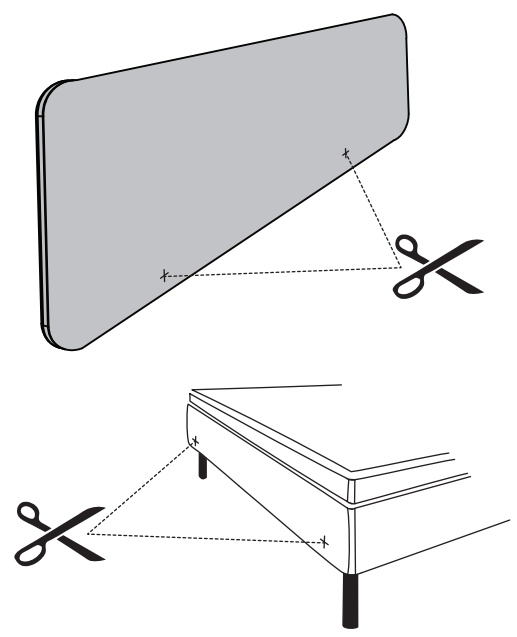
## Landscape Headboard

2x 

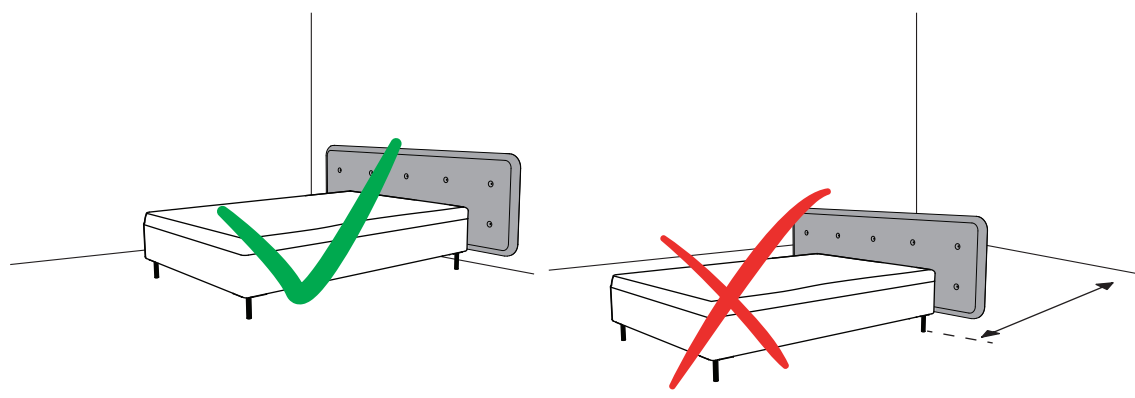
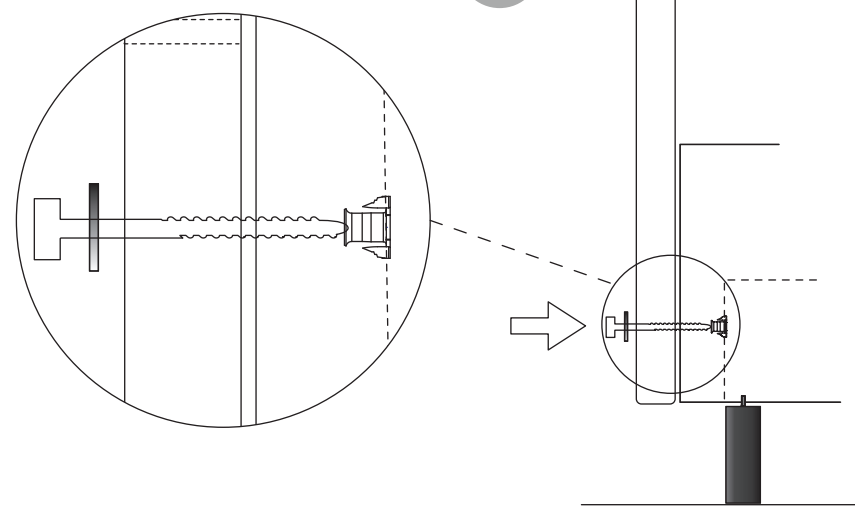
2x 



1



2



Quality check

Fabric	<input type="checkbox"/>	Date _____	Signature _____
Color	<input type="checkbox"/>		
Seam	<input type="checkbox"/>		
Upholstery	<input type="checkbox"/>		
Fitting package - added	<input type="checkbox"/>		

