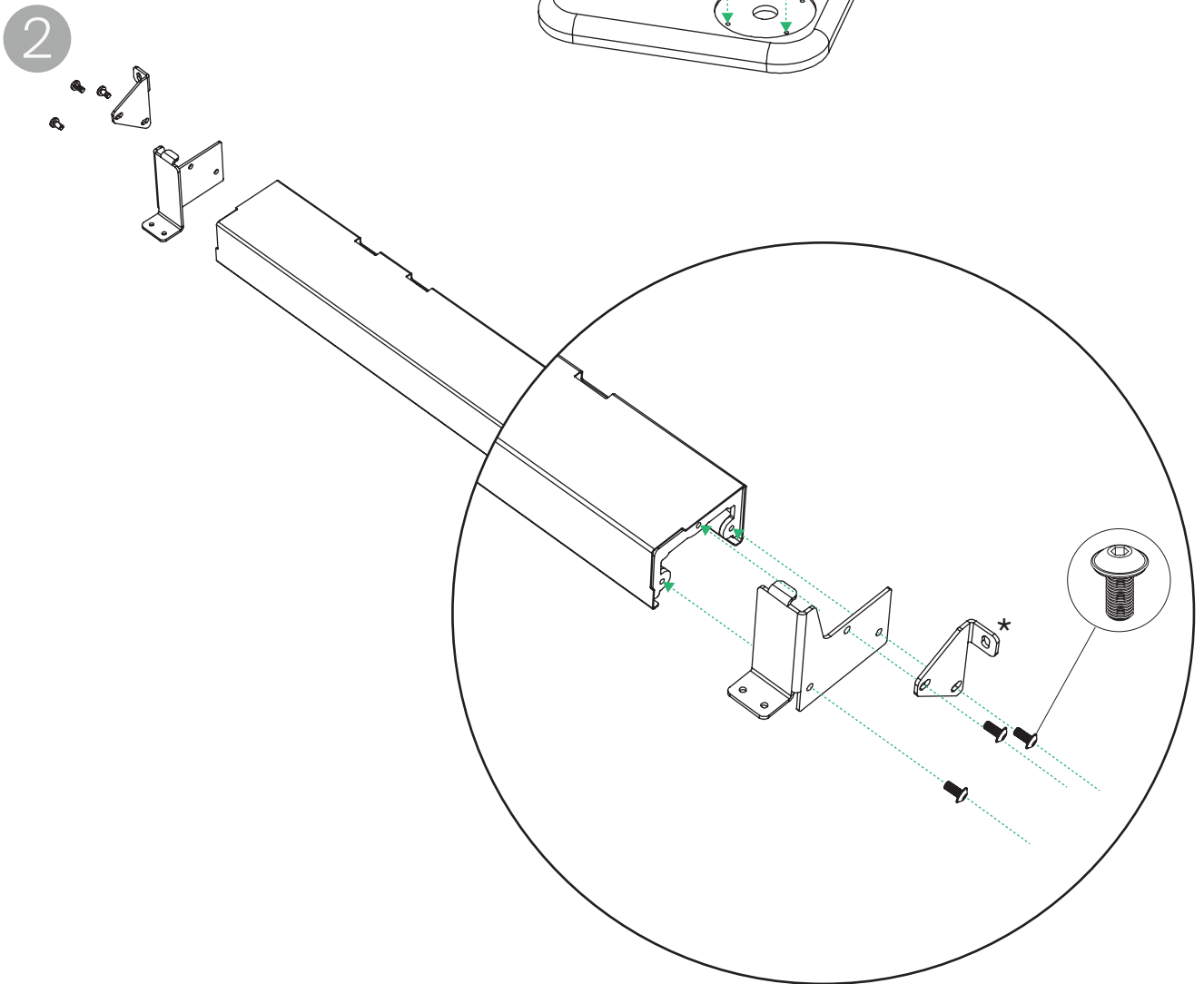
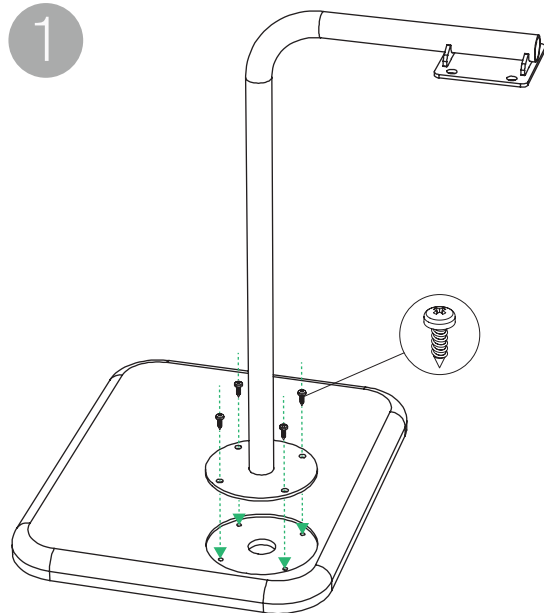


Assembly Instructions

Add On Sliding Table



Follow this link for online instruction
leaflet and instructional video:
jensen-beds.com/support/product/add-sliding-table

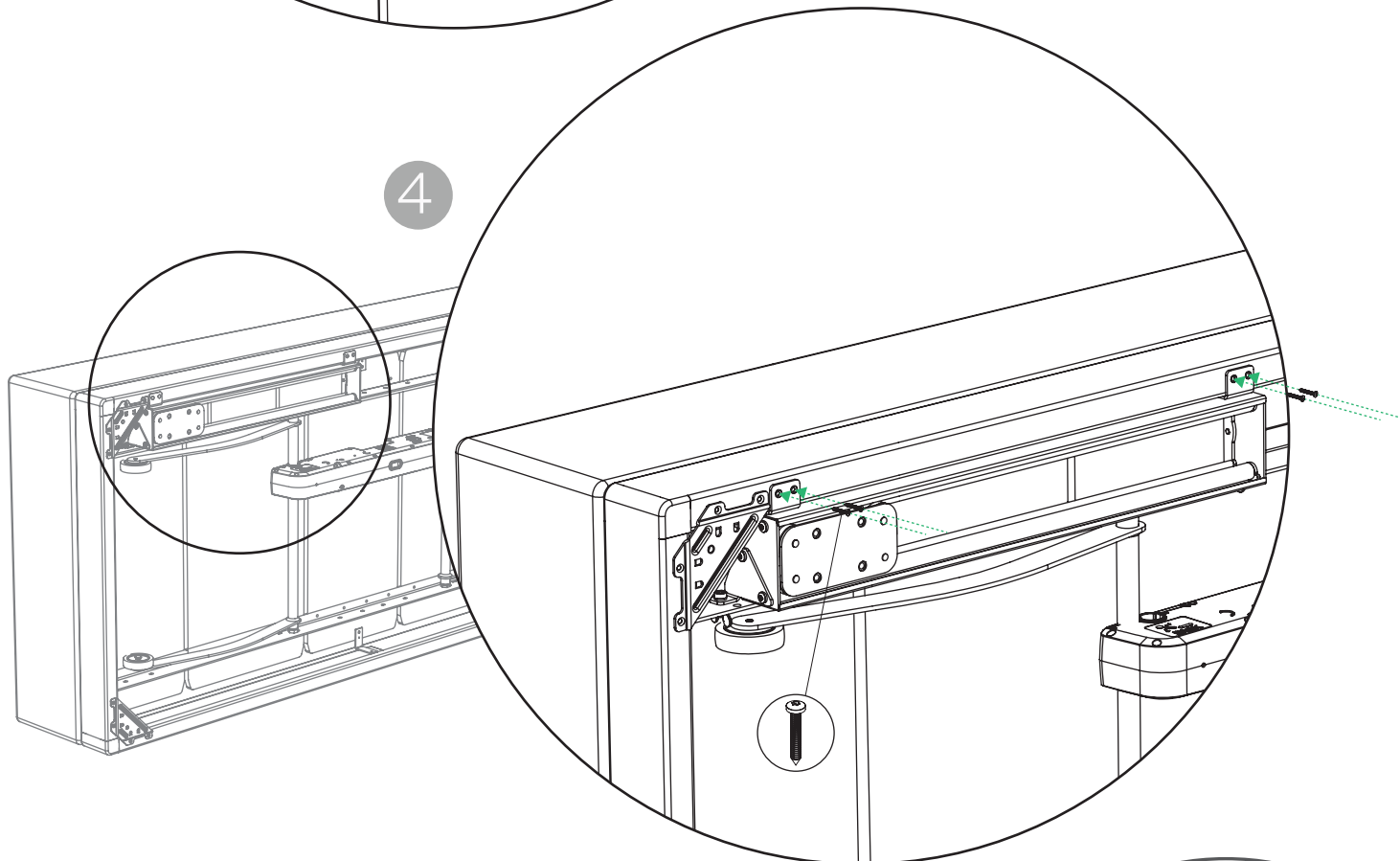
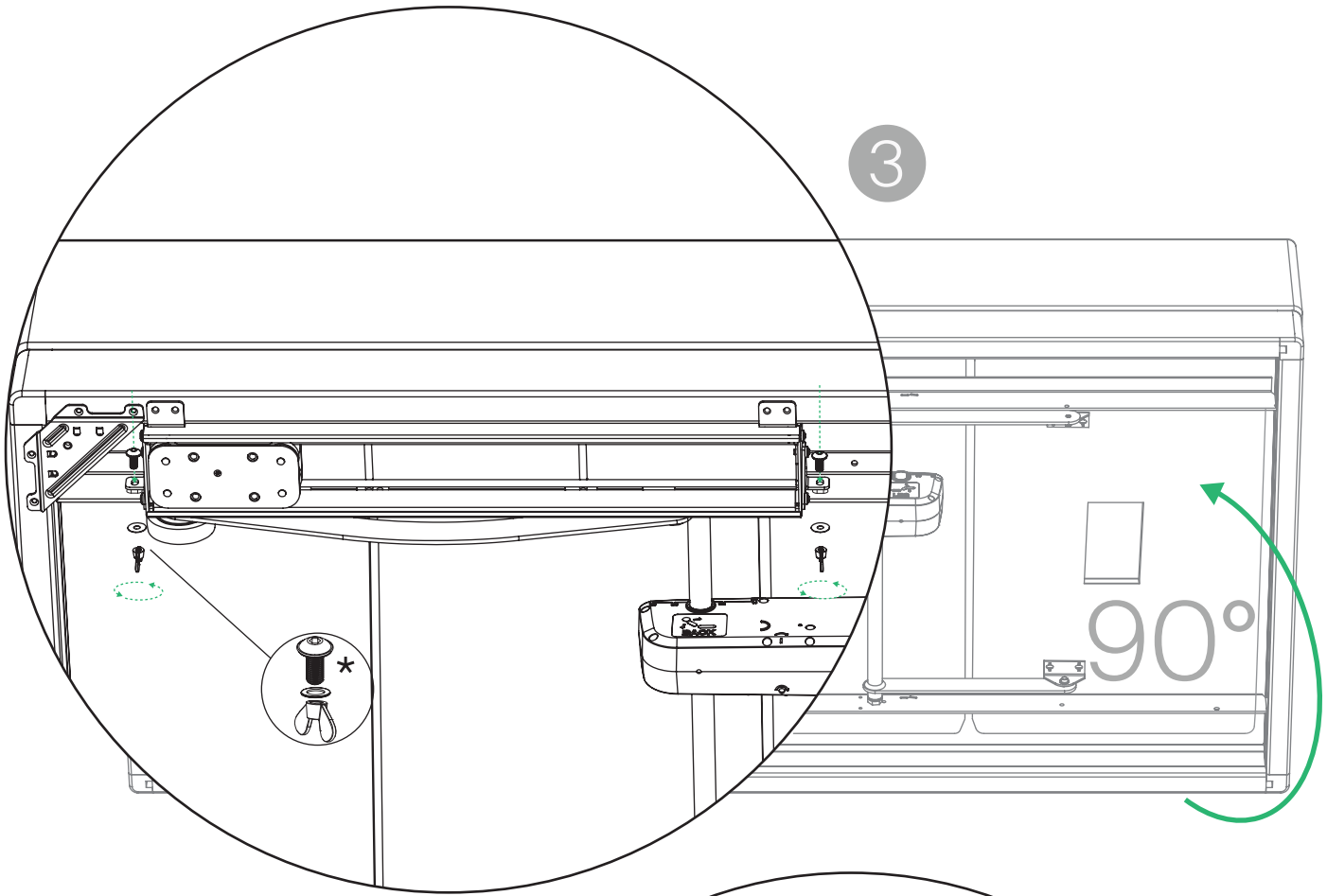


*Brackets vary depending on bed and bedsize,
see overview on page 5 and 6.
Sliding Add-On table must be mounted with the
mattress attached to the bed frame.



Assembly Instructions

Add On Sliding Table

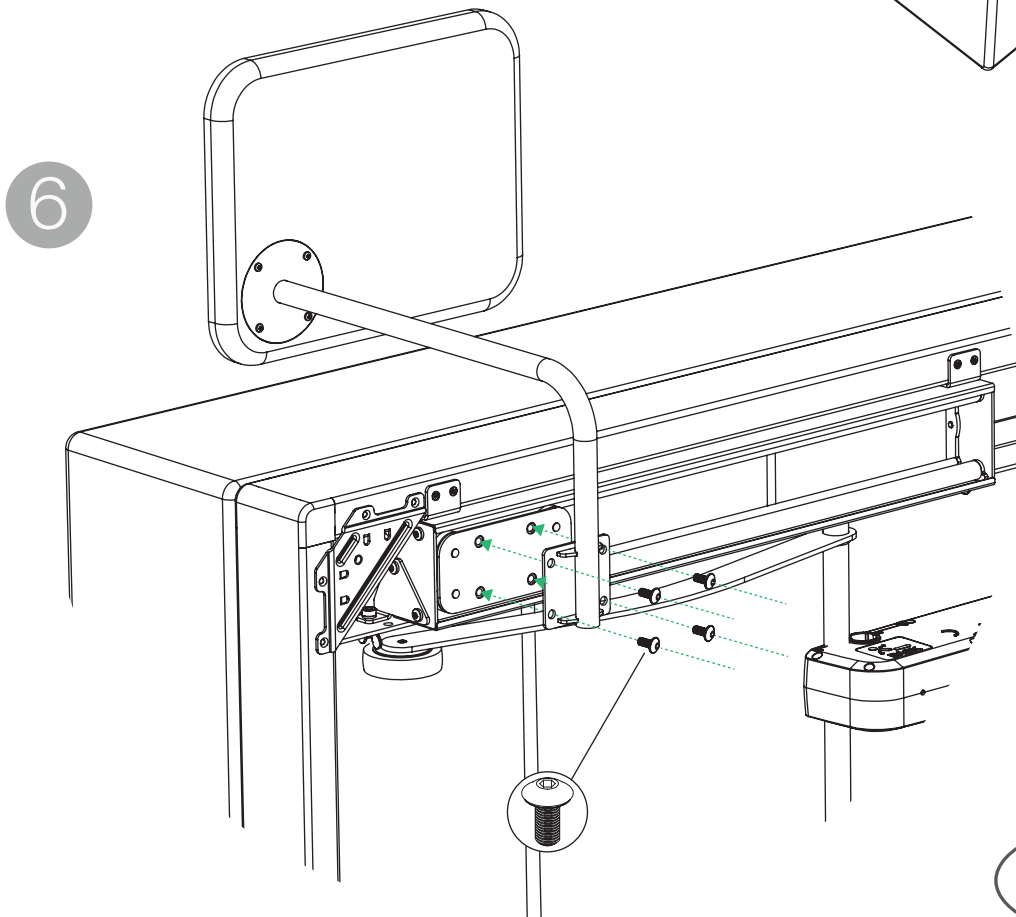
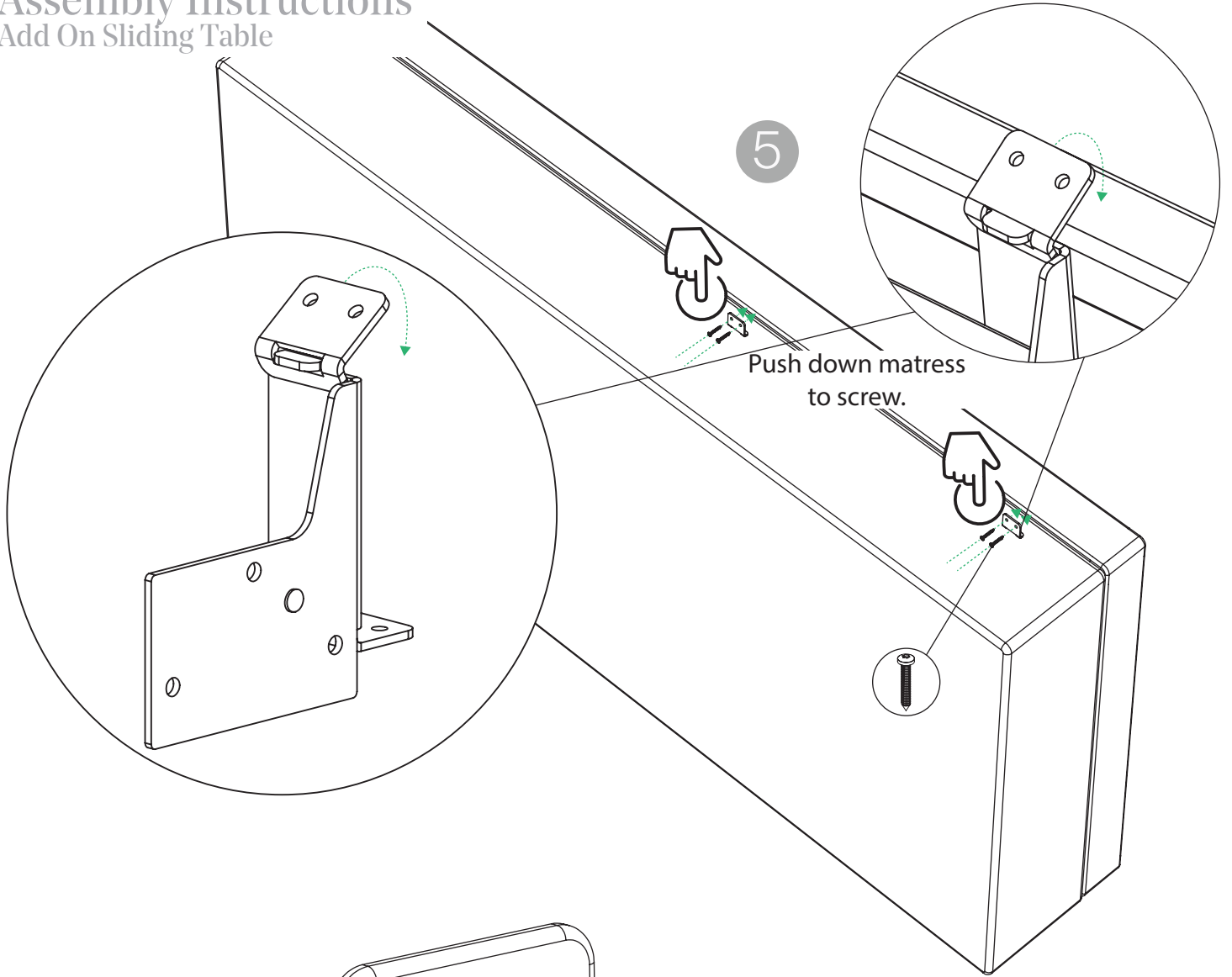


*Align with holes on chassis.
When combined with Flying Optic legs,
use the next hole.



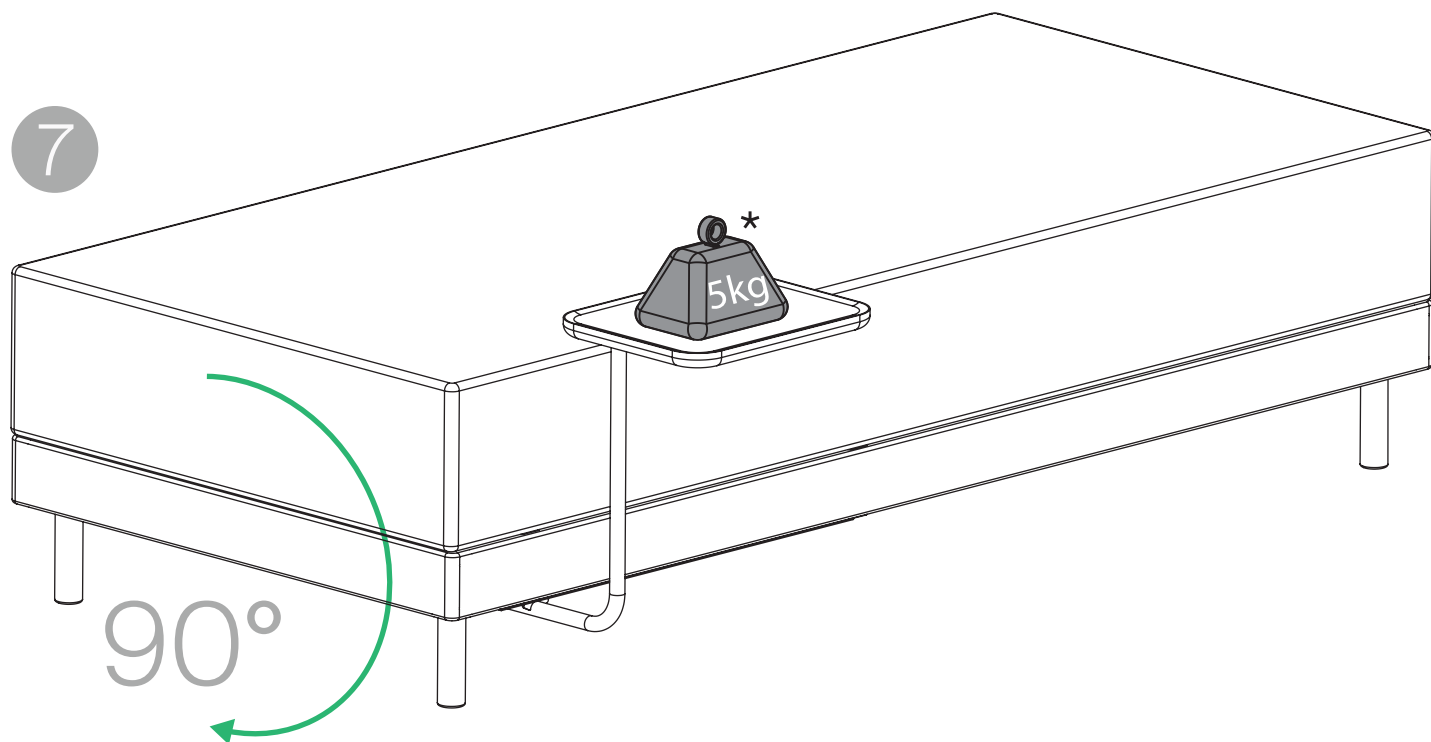
Assembly Instructions

Add On Sliding Table



Assembly Instructions

Add On Sliding Table



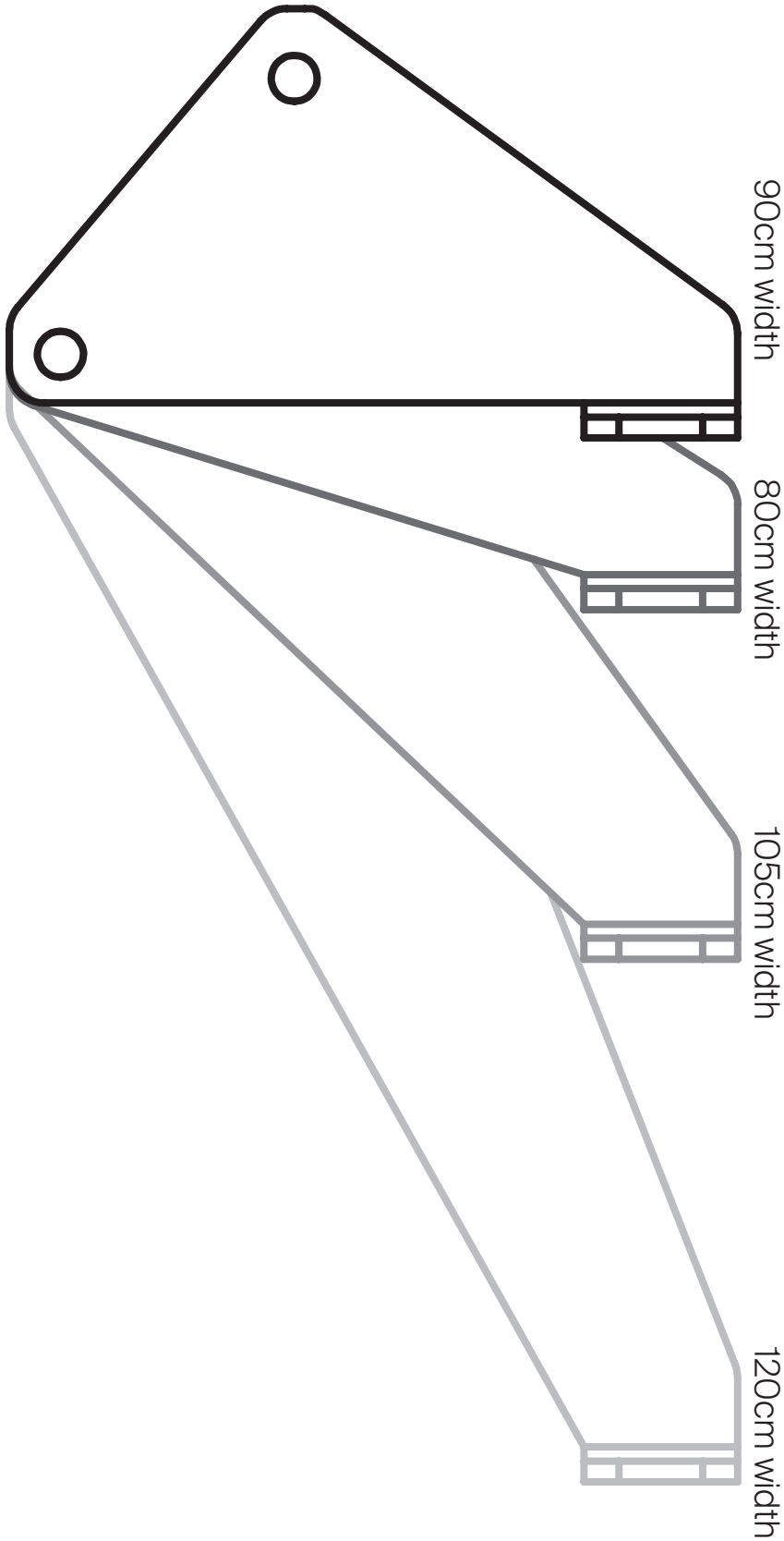
*Maximum load is 5kg.



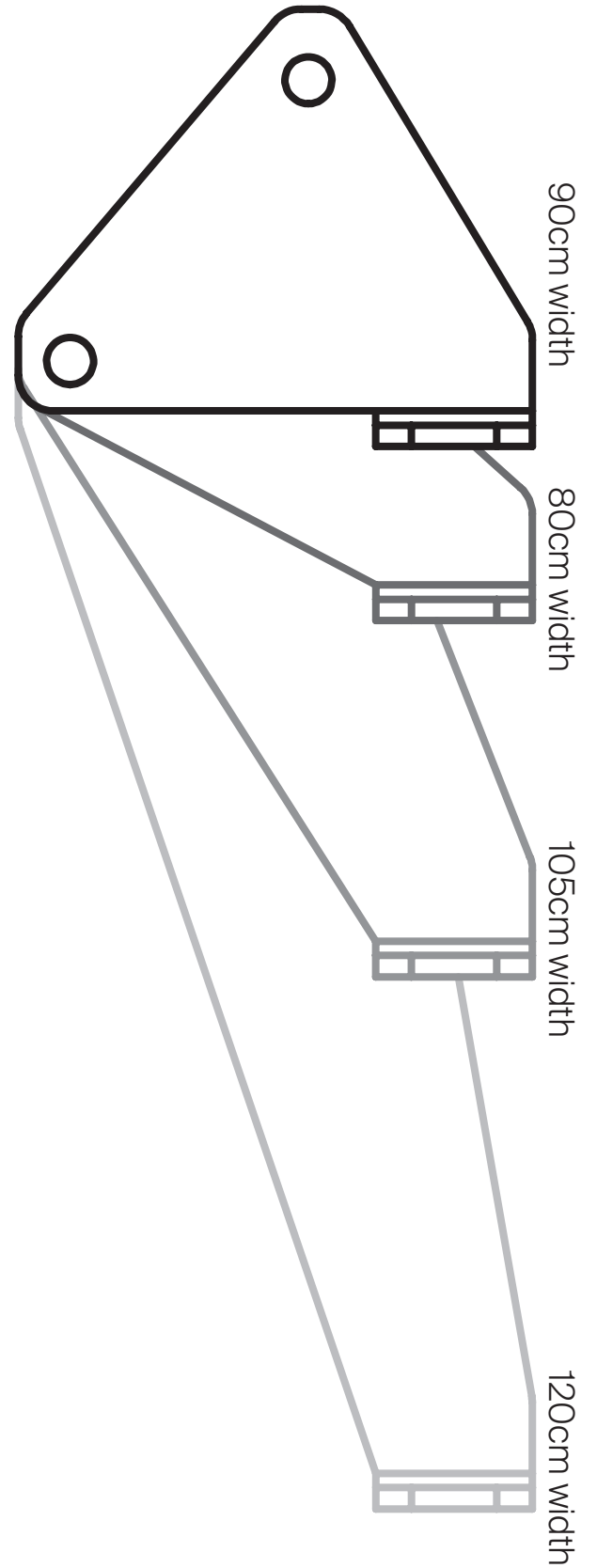
Assembly Instructions

Add On Sliding Table

Active II



Lean



Assembly Instructions

Add On Sliding Table

