

Assembly Instructions

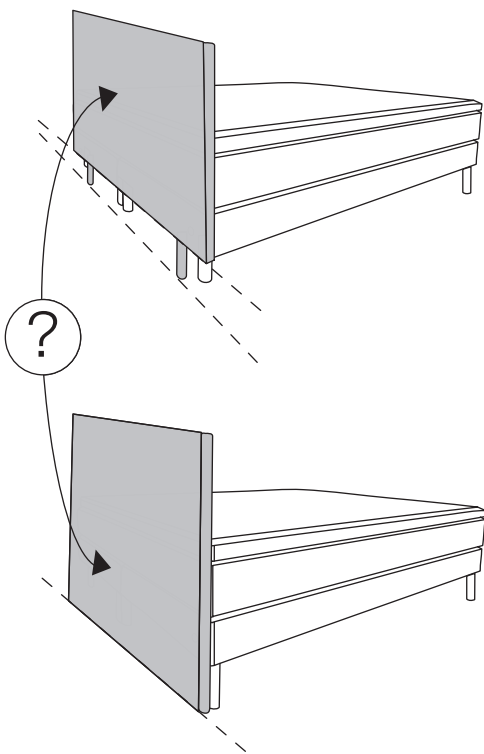
Headboards

2x 

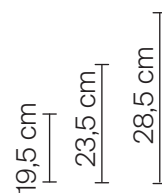
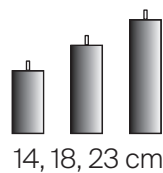
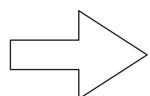
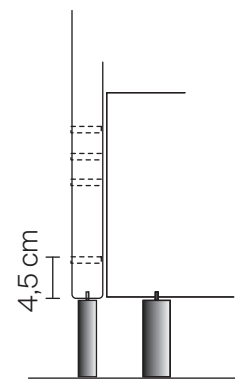
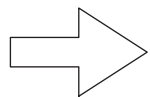
2x 



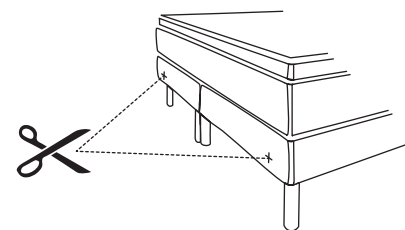
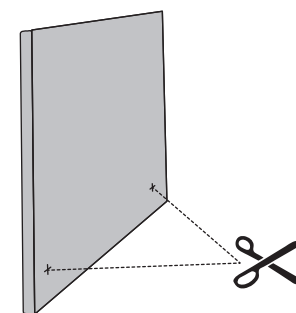
1



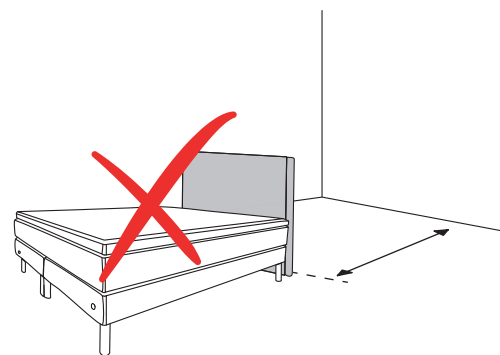
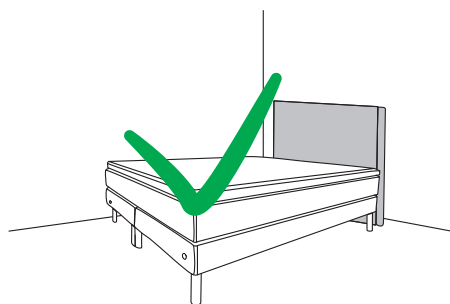
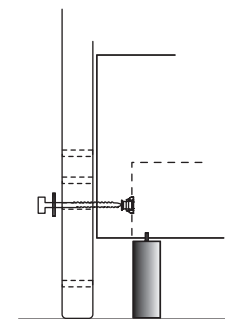
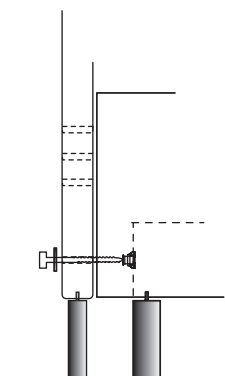
2



3



4



Quality check

- Fabric
- Color
- Seam
- Upholstery
- Fitting package - added

Date _____

Signature _____

